

The information in this document is subject to change without notice and should not be construed as a commitment by ABB. ABB assumes no responsibility for any errors that may appear in this document.

Except as may be expressly stated anywhere in this document, nothing herein shall be construed as any kind of guarantee or warranty by ABB for losses, damages to persons or property, fitness for a specific purpose or the like.

In no event shall ABB be liable for incidental or consequential damages arising from use of this document.

This document and parts thereof must not be reproduced or copied without ABB's written permission, and contents thereof must not be imparted to a third party nor be used for any unauthorized purpose. Contravention will be prosecuted.

Additional copies of this document may be obtained from ABB at its then current charge.

© Copyright 2021 ABB ALL right reserved.

ABB

SE-721 68 Västerås
Sweden

Latest revision: ECO 500000127063, New			Lab/Office: RARO SE RMD2	IRB67XX	Status: 2021-10-18	Plant: = SP	
Prepared by, date: ML 2023-04-21 Approved by, date: ML 2023-04-21				COPYRIGHT PAGE	Approved	Location: +	Sublocation: +
				DRESS PACK	Document no. 3HAC087933-001	Rev. Ind 00	Page 1 2 Total 19

We reserve all rights in this document and in the information contained therein. Reproduction, use or disclosure to third parties without express authority is strictly forbidden. © Copyright 2003 ABB

Table of contents

ABB_table_of_contents

Plant	Location	Sublocation	Page	Page description	Page supplementary field	Date	Editor
SP			1	COPYRIGHT PAGE	APPROVED	2023-04-21	semalin
SP			2	TABLE OF CONTENTS 1-250	APPROVED	2023-04-21	semalin
SP			3	LEGEND	APPROVED	2023-04-21	semalin
SP	Se		51	BLOCK DIAGRAM - TYPE Se	APPROVED	2023-04-21	semalin
SP	H		52	BLOCK DIAGRAM - TYPE H	APPROVED	2023-04-21	semalin
SP	HS		54	BLOCK DIAGRAM - TYPE HS	APPROVED	2023-04-21	semalin
SP	HSe		55	BLOCK DIAGRAM - TYPE HSe	APPROVED	2023-04-21	semalin
SP	CON		56	CONNECTOR LAYOUT	APPROVED	2023-04-21	semalin
SP	CON		57	CONNECTOR LAYOUT	APPROVED	2023-04-21	semalin
DP	Se	AX3	105-106	PARACOM SERVOGUN SW6	APPROVED	2023-04-21	semalin
DP	Se	AX3	120-121	PARAMULTI SW6	APPROVED	2023-04-21	semalin
DP	Se	AX3	125-126	PARAMULTI SERVOGUN SW6	APPROVED	2023-04-21	semalin
DP	H	AX3	200	PARACOM MH3 & M6	APPROVED	2023-04-21	semalin
DP	H	AX3	220-221	PARAMULTI MH3 & MH6	APPROVED	2023-04-21	semalin
DP	AX 7		250	AXIS 7 ON BASE	APPROVED	2023-04-21	semalin

We reserve all rights in this document and in the information contained therein. Reproduction, use or disclosure to third parties without express authority is strictly forbidden. © Copyright 2003 ABB

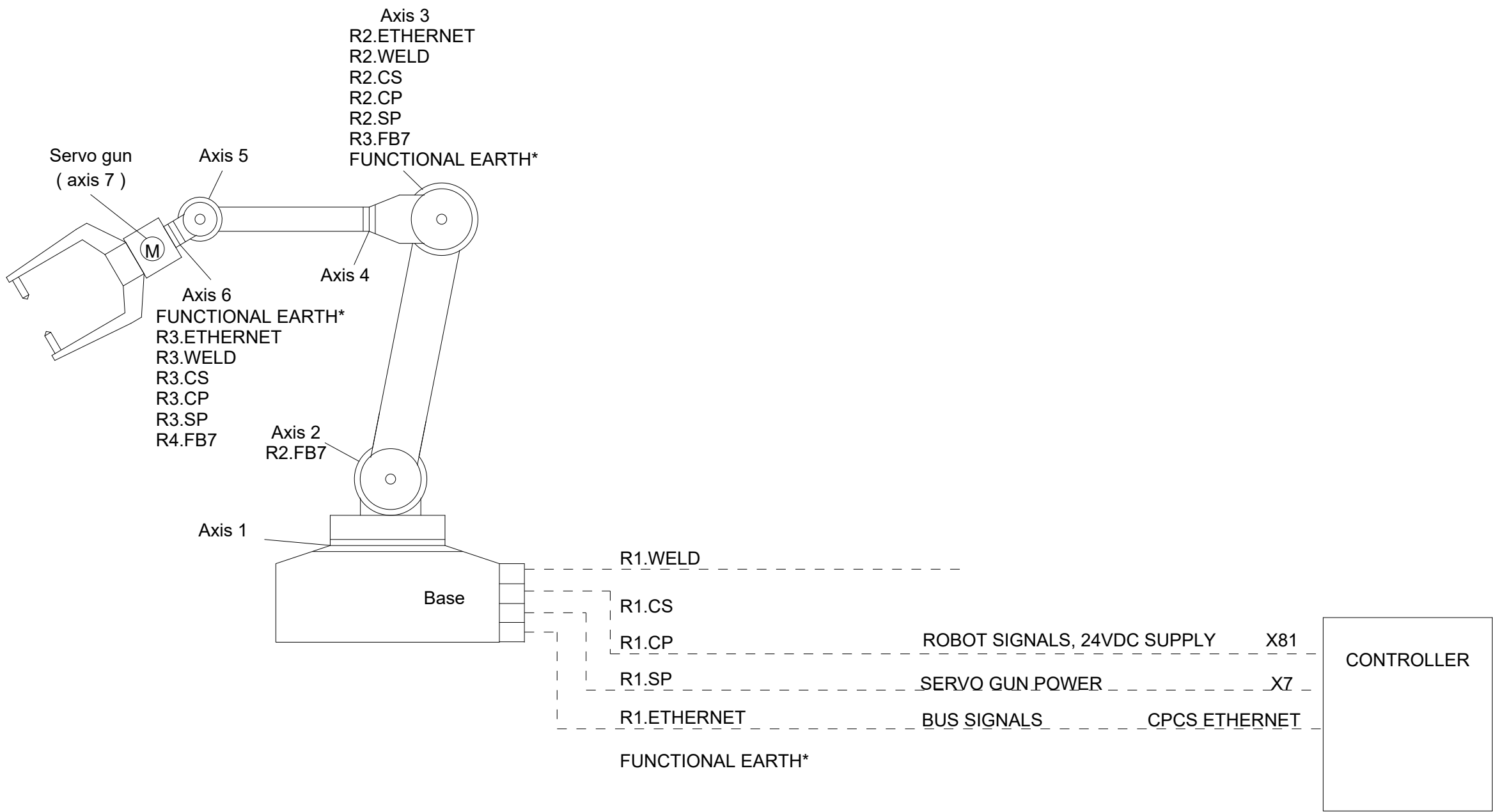
We reserve all rights in this document and in the information contained therein. Reproduction, use or disclosure to third parties without express authority is strictly forbidden. © Copyright 2003 ABB

1	2	3	4	5	6	7	8
Paracom	Parallel Communication						Protective Earth (PE)
Paramulti	Parallel and Ethernet Communication						Twisted wires
S	Welding with Pneumatic Gun						Quad twined wires
Se	Welding with Servo Gun						Screened wires
H	Material Handling						Screen is connected to earth
HS	Material Handling and Pneumatic Gun						Screen connection continues on the next page
HSe	Material Handling and Servo Gun						
FB	Motor Feedback Signal (7th axis)						
SMB	Serial Measurement Board						
CP	Customer Power						
CS	Customer Signal						
ETHERNET	Bus Signal, Ethernet						
SP	Servo Gun Power						
MH	Harness between base and axis 3						
MH3	Harness between axis 3 and axis 6, without LeanID						
MH6	Harness between axis 3 and axis 6, with LeanID						

BLOCK DIAGRAM TYPE Se (servo gun)
 IRBDP SW6
 Controller, OmniCore V250XT: See circuit diagram, 3HAC074000-008

Dashed cables: See circuit diagram 3HAC074000-008

* Functional earth exist only on the option Paramulti.

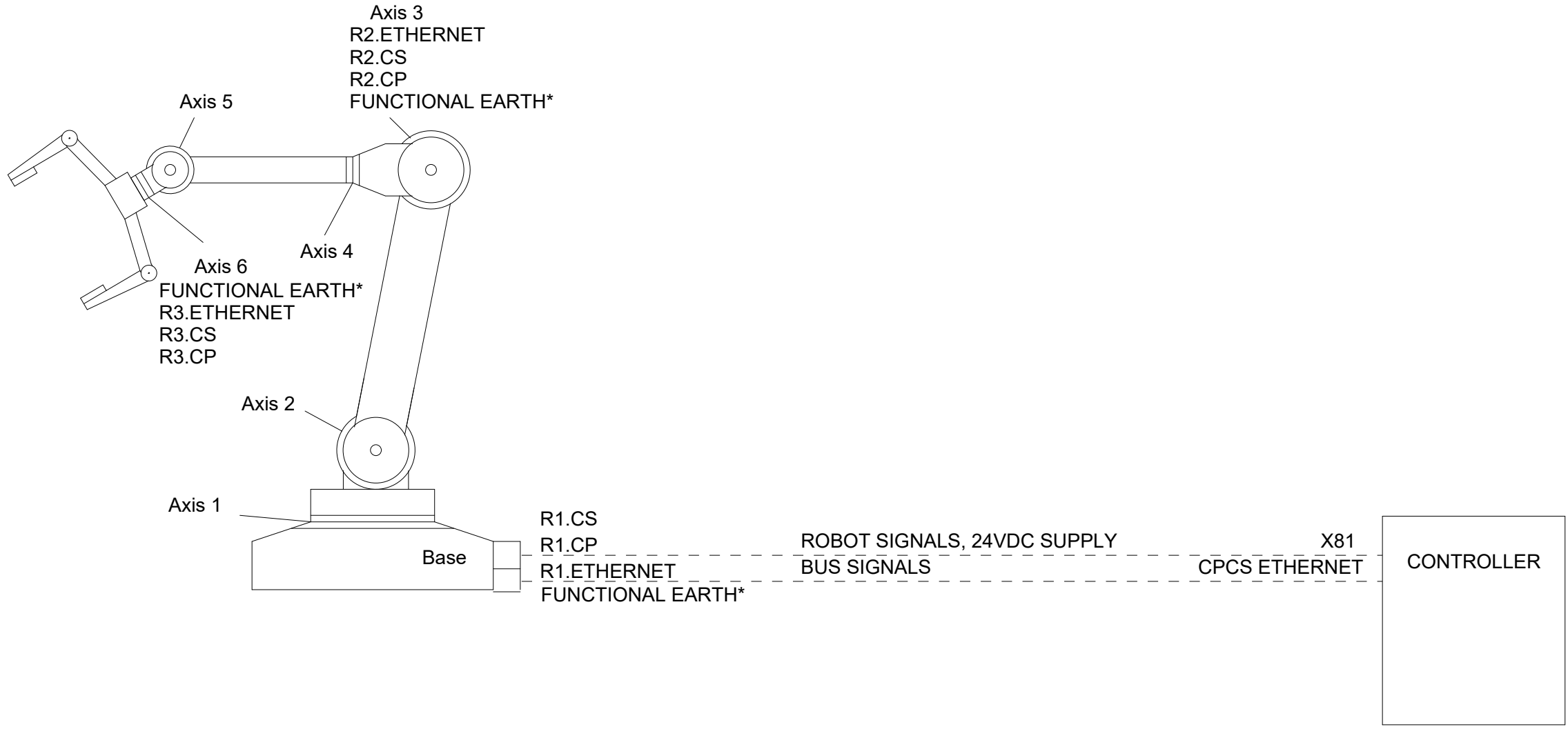


We reserve all rights in this document and in the information contained therein. Reproduction, use or disclosure to third parties without express authority is strictly forbidden. © Copyright 2003 ABB

BLOCK DIAGRAM TYPE H (material handling)
 IRBDP MH, MH3/MH6
 Controller, OmniCore V250XT: See circuit diagram, 3HAC074000-008

Dashed cables: See circuit diagram 3HAC074000-008

* Functional earth exist only on the option Paramulti.



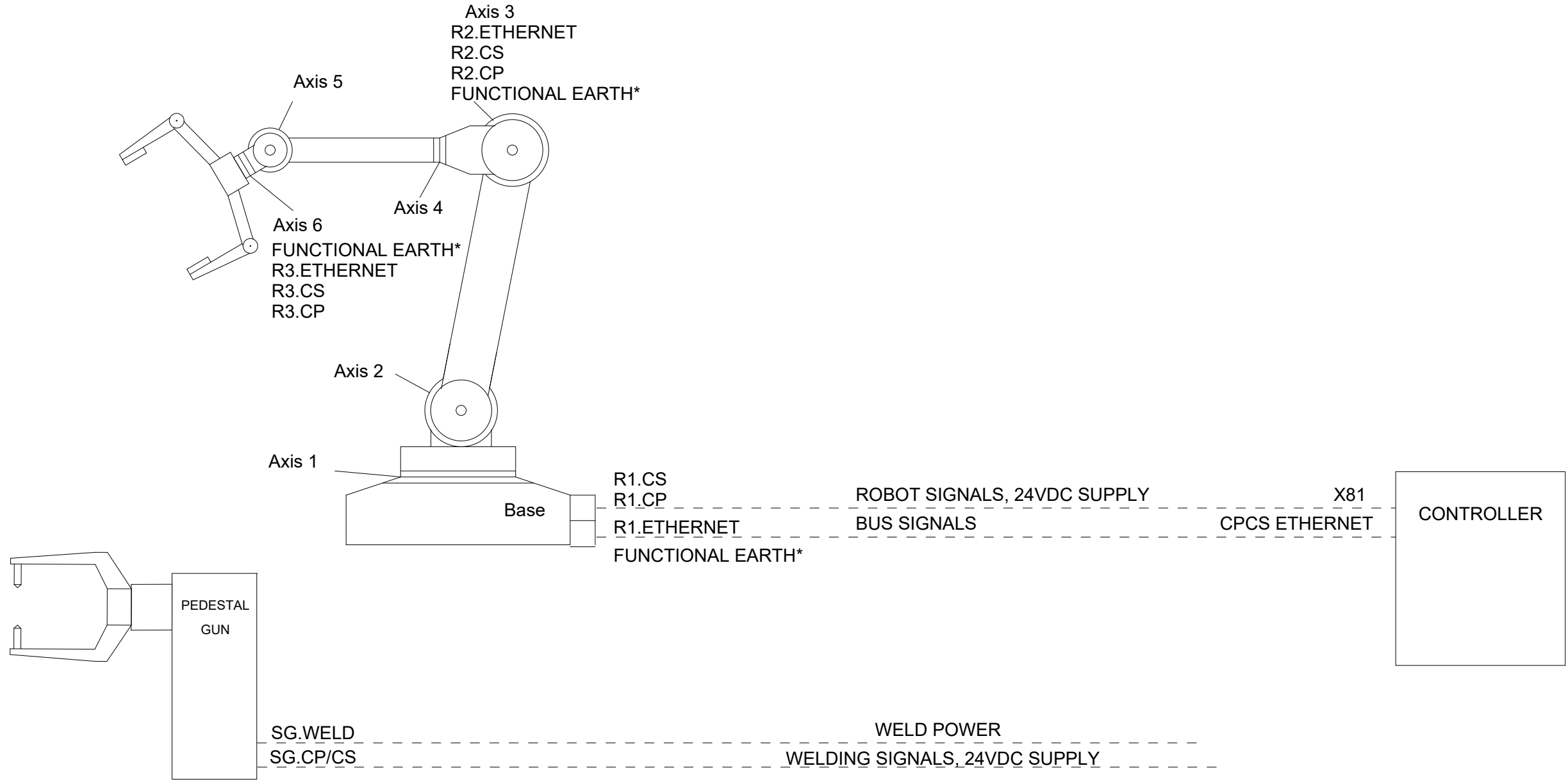
We reserve all rights in this document and in the information contained therein. Reproduction, use or disclosure to third parties without express authority is strictly forbidden. © Copyright 2003 ABB

Latest revision: ECO 500000127063, New		ABB	Lab/Office: RARO SE RMD2	IRB67XX	Status: 2021-10-18	Plant: = SP
Prepared by, date: ML 2021-10-15 Approved by, date: ML 2021-10-18				BLOCK DIAGRAM - TYPE H	Approved	Location: + H
				DRESS PACK	Document no. 3HAC087933-001	Rev. Ind 00
						Page 52 +HS/54 Total 19

BLOCK DIAGRAM TYPE HS (material handling and pneumatic gun)
 IRBDP MH, MH3/MH6
 SController, OmniCore V250XT: See circuit diagram, 3HAC074000-008

Dashed cables: See circuit diagram 3HAC074000-008

* Functional earth exist only on the option Paramulti.



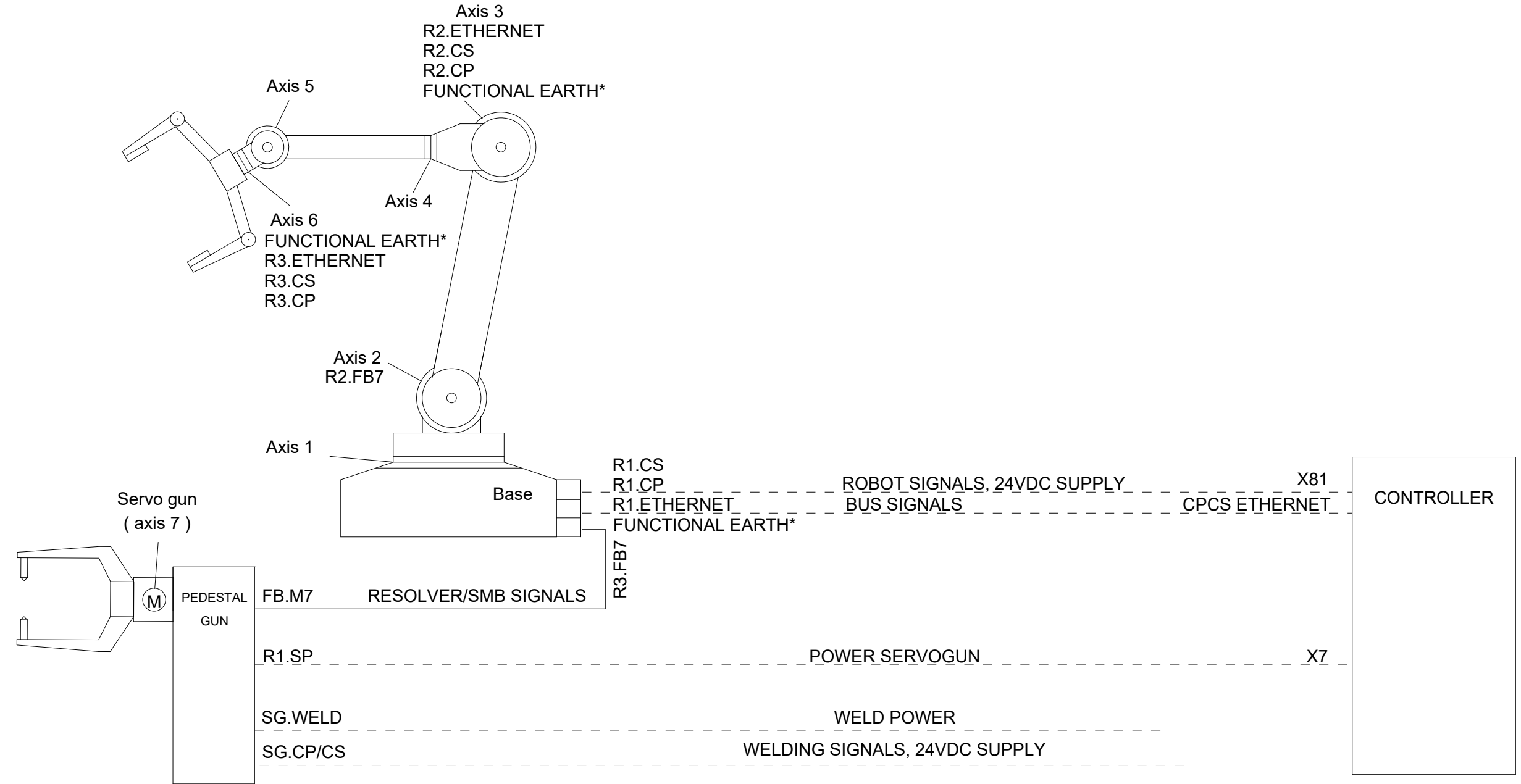
We reserve all rights in this document and in the information contained therein. Reproduction, use or disclosure to third parties without express authority is strictly forbidden. © Copyright 2003 ABB

Latest revision: ECO 500000127063, New		ABB	Lab/Office: RARO SE RMD2	IRB67XX	Status: 2021-10-18	Plant: = SP
Prepared by, date: ML 2021-10-15			Approved by, date: ML 2021-10-18	BLOCK DIAGRAM - TYPE HS		Approved
		DRESS PACK		Document no. 3HAC087933-001	Rev. Ind 00	Sublocation: +
					Page 54	Total 19

BLOCK DIAGRAM TYPE HSe (material handling and servo gun)
 IRBDP MH, MH3/MH6
 Controller, OmniCore V250XT: See circuit diagram, 3HAC074000-008

Dashed cables: See circuit diagram 3HAC074000-008

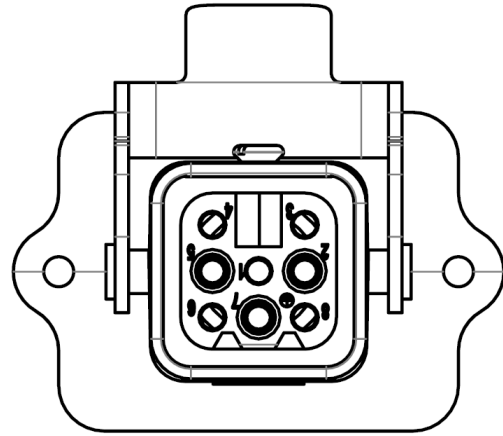
* Functional earth exist only on the option Paramulti.



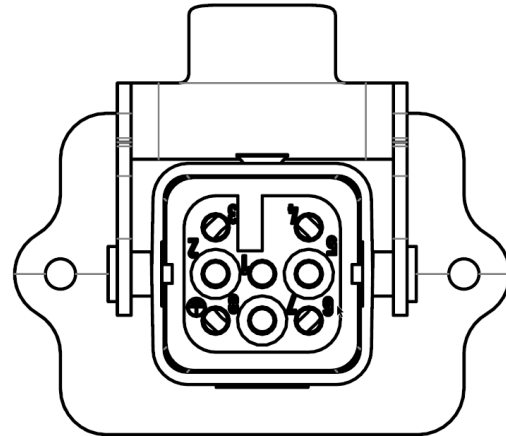
We reserve all rights in this document and in the information contained therein. Reproduction, use or disclosure to third parties without express authority is strictly forbidden. © Copyright 2003 ABB

BLOCK DIAGRAM TYPE S/H

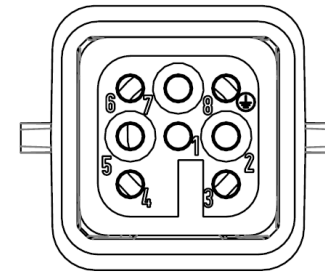
Male 8p (R1.CS)



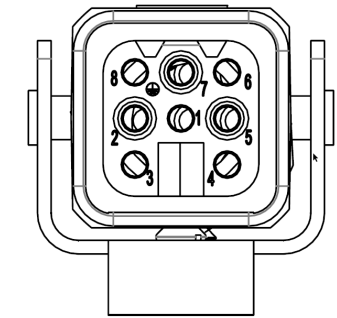
Female 8p (R2.CS)



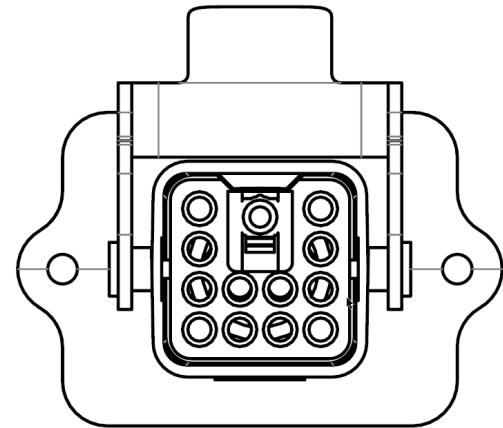
Male 8p (R2.CS)



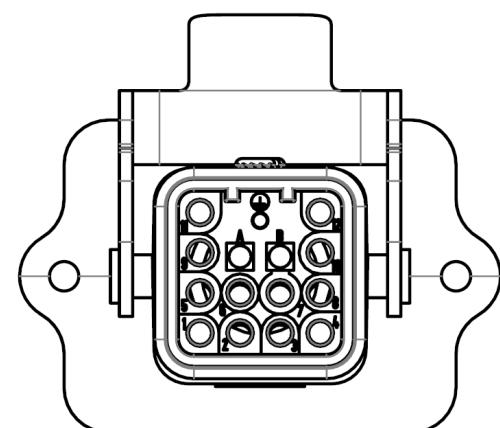
Female 8p (R3.CS)



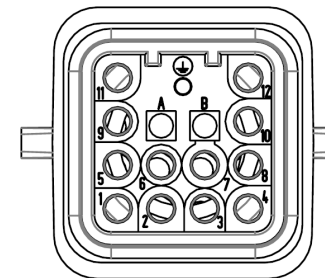
Male 12p (R1.CP)



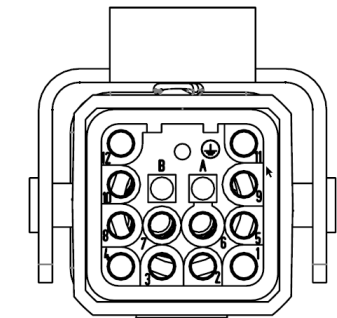
Female 12p (R2.CP)



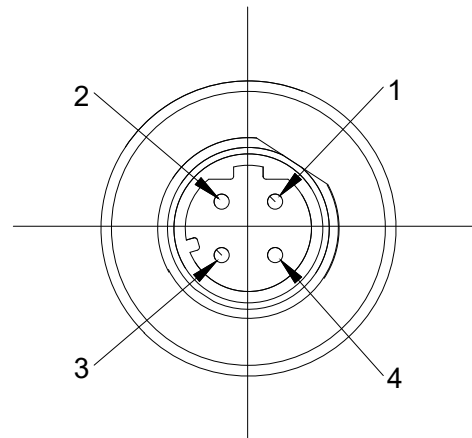
Male 12p (R2.CP)



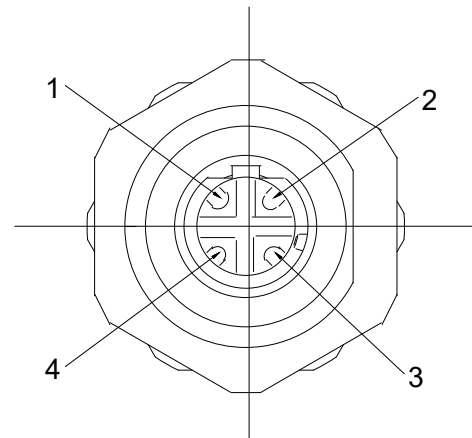
Female 12p (R3.CP)



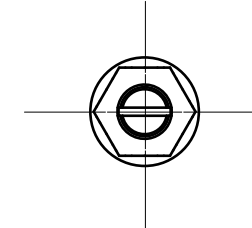
Male 4p
R2.ETHERNET
R3.ETHERNET



Female 4p
R1.ETHERNET
R2.ETHERNET



FUNCTIONAL EARTH



Latest revision: ECO 500000127063, New



Lab/Office:
RARO SE
RMD2

IRB67XX

CONNECTOR LAYOUT

DRESS PACK

Status: 2021-10-18

Approved

Document no.

3HAC087933-001

Plant: = SP
Location: + CON
Sublocation: +

Rev. Ind

00

Page 56

57

Total 19

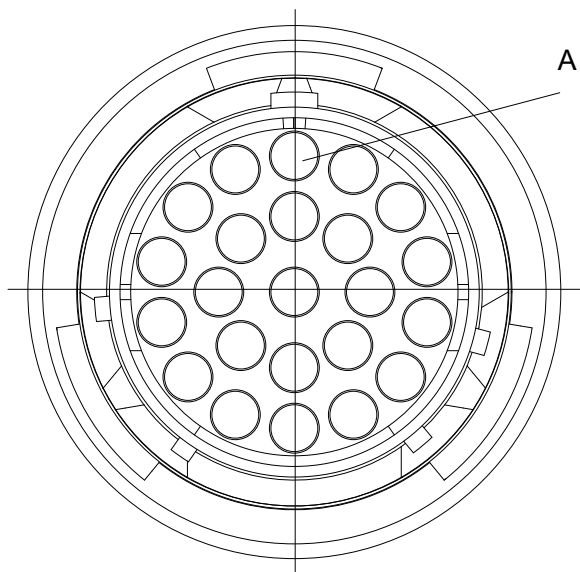
Prepared by, date: ML 2021-10-15

Approved by, date: ML 2021-10-18

We reserve all rights in this document and in the information contained therein. Reproduction, use or disclosure to third parties without express authority is strictly forbidden. © Copyright 2003 ABB

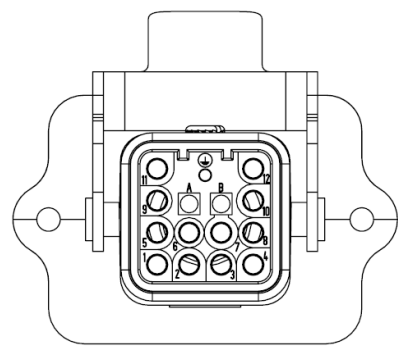
BLOCK DIAGRAM TYPE Se/S

Male 23p (R1.SP)



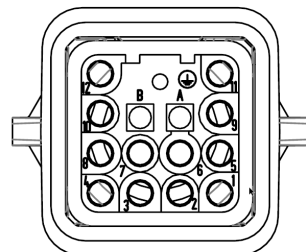
SOURIAU

Female 12p
R2.SP



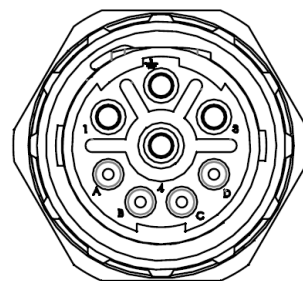
HARTING

Male 12p
R2.SP



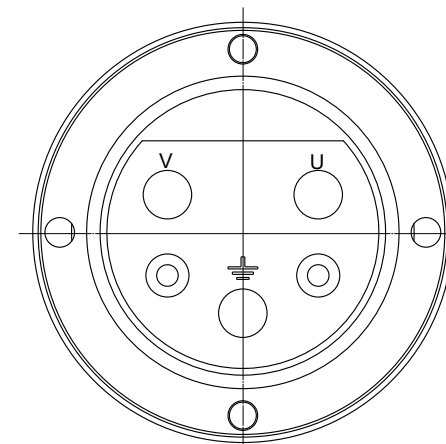
HARTING

Female 8p
R3.SP

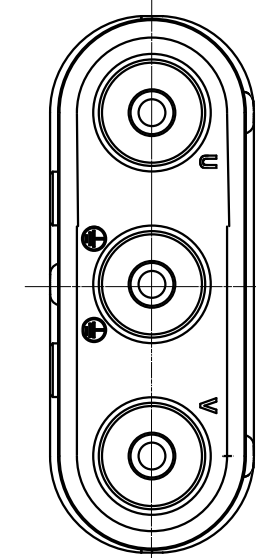


HUMMEL

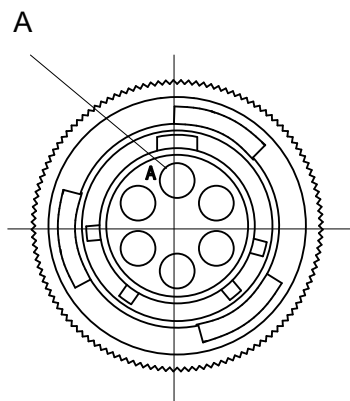
Male 3p
R1.WELD



Female & Male 3p
R2.WELD

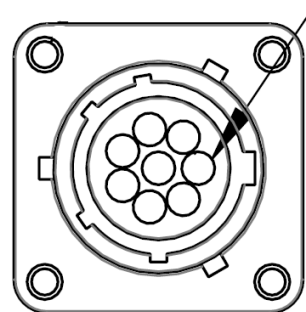


Female / Male 6p (R2.FB7)



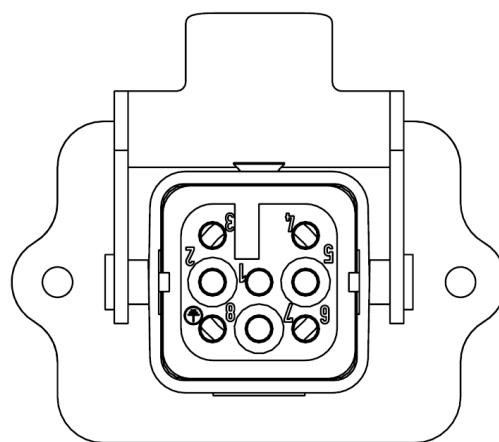
SOURIAU

Female 8p (R3.FB7)



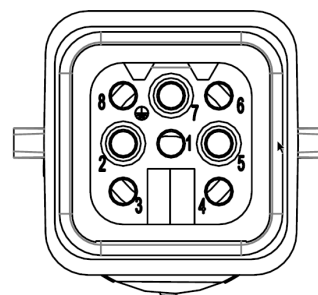
SOURIAU

Female 8p (R3.FB7)



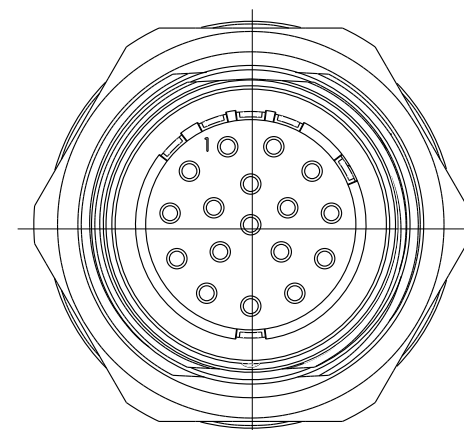
HARTING

Male 17p (R3.FB7)



HARTING

Female 17p (R4.FB7)



HUMMEL

Latest revision: ECO 500000127063, New



Lab/Office:
RARO SE
RMD2

IRB67XX

CONNECTOR LAYOUT

DRESS PACK

Status: 2021-10-18

Approved

Document no.

3HAC087933-001

Plant: = SP
Location: + CON
Sublocation: +

Rev. Ind
00

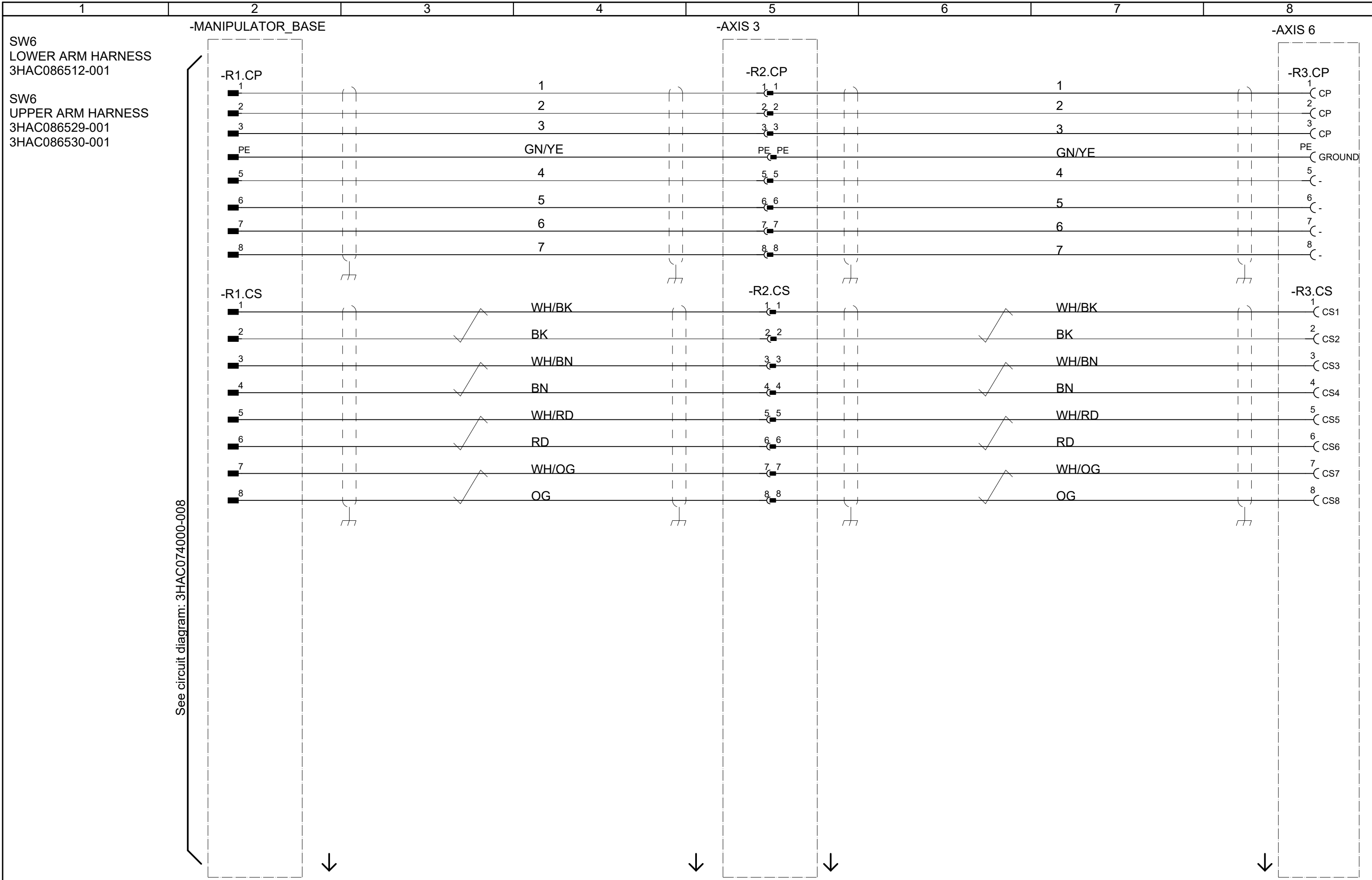
Page 57
= DP+Se.
Total 19

Prepared by, date: ML 2021-10-15

Approved by, date: ML 2021-10-18

We reserve all rights in this document and in the information contained therein. Reproduction, use or disclosure to third parties without express authority is strictly forbidden. © Copyright 2003 ABB

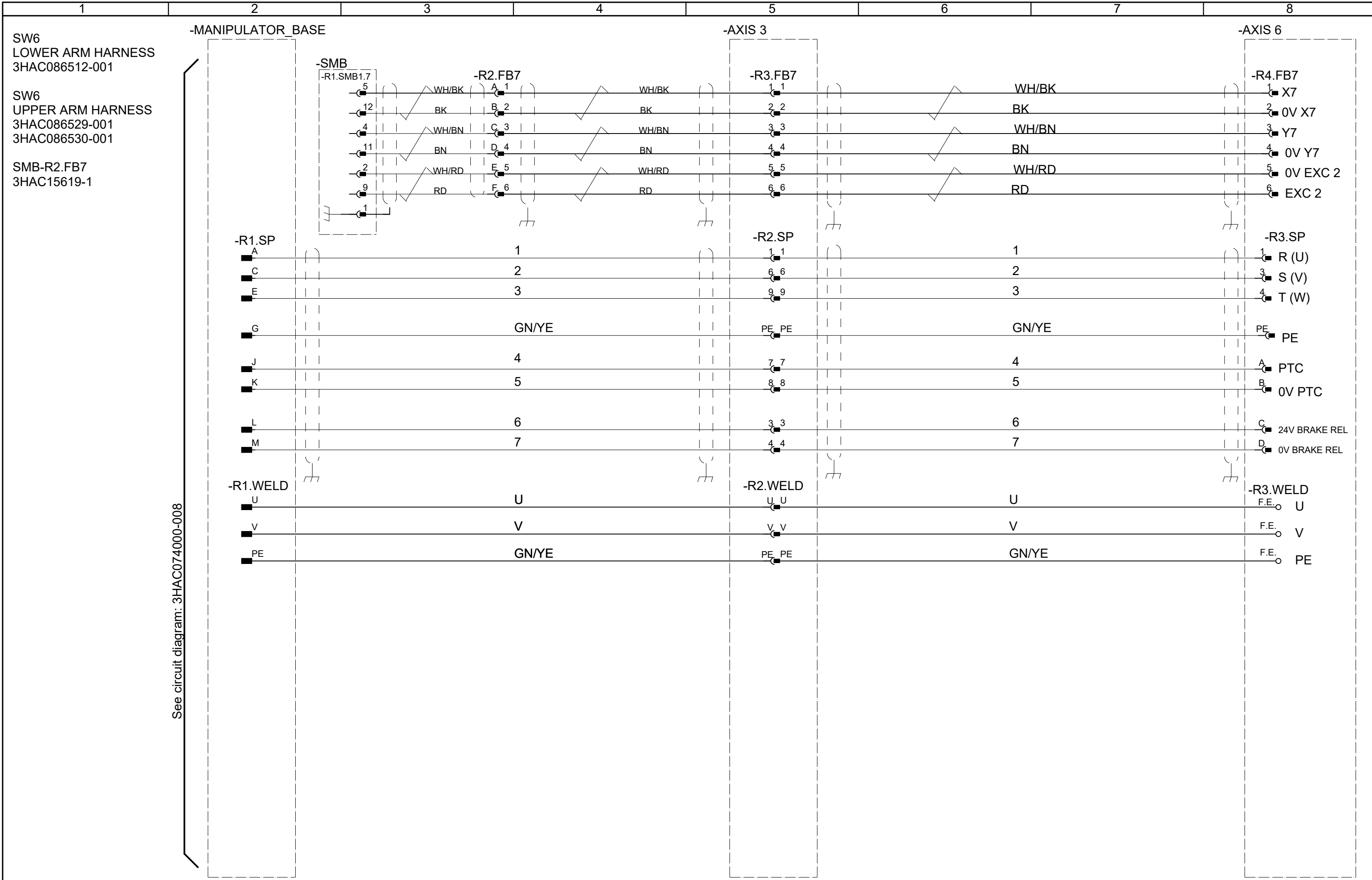
We reserve all rights in this document and in the information contained therein. Reproduction, use or disclosure to third parties without express authority is strictly forbidden. © Copyright 2003 ABB



See circuit diagram: 3HAC074000-008

Latest revision: ECO 500000127063, New		ABB	Lab/Office: RARO SE RMD2	IRB67XX	Status: 2021-10-18	Plant: = DP
Prepared by, date: ML 2021-10-15			Approved by, date: ML 2021-10-18	PARACOM, SERVOGUN SW6	Approved	Location: + Se
				Document no. 3HAC087933-001	Rev. Ind 00	Page 105
				TYPE Se		106
						Total 19

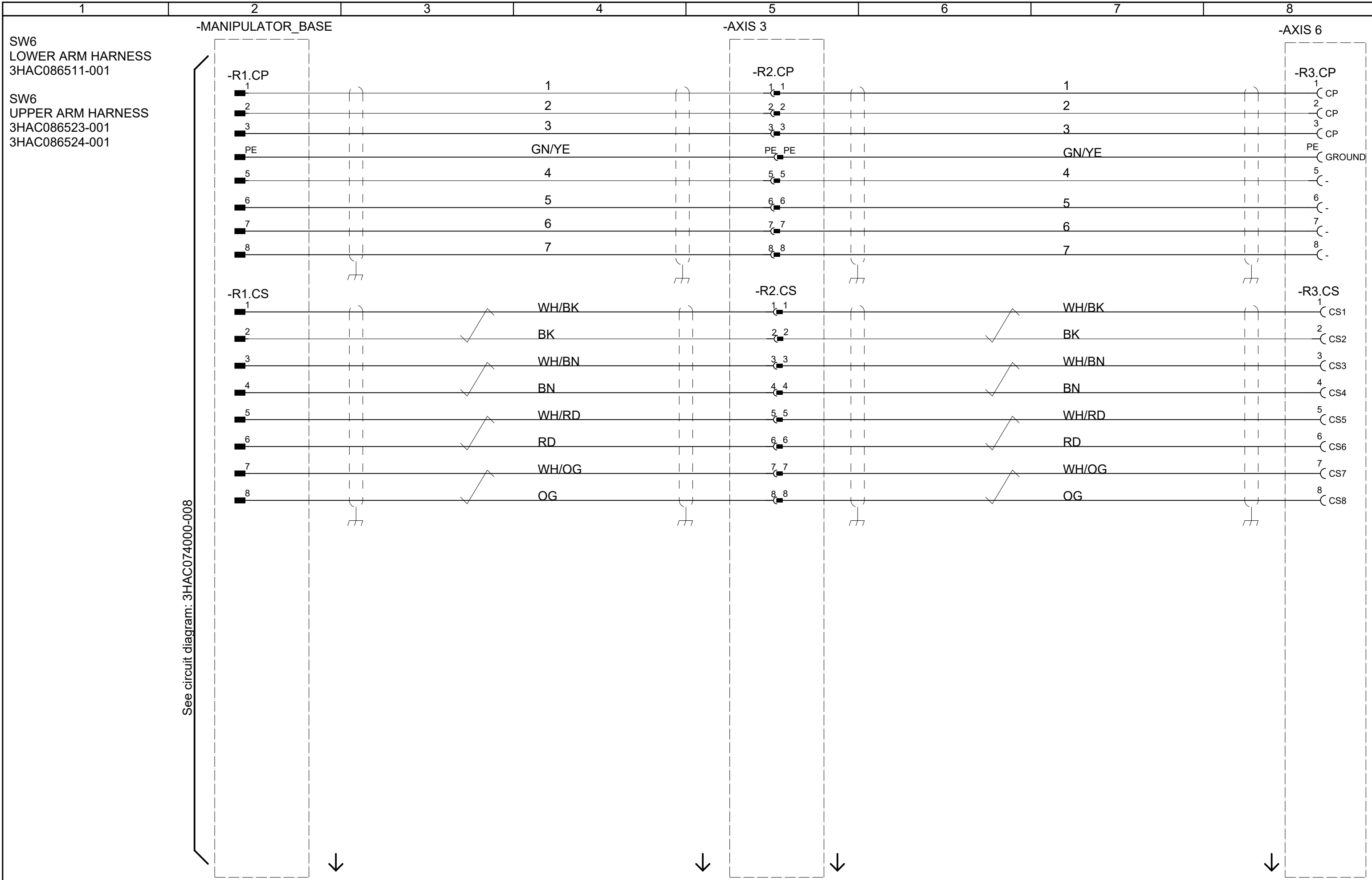
We reserve all rights in this document and in the information contained therein. Reproduction, use or disclosure to third parties without express authority is strictly forbidden. © Copyright 2003 ABB



See circuit diagram: 3HAC074000-008

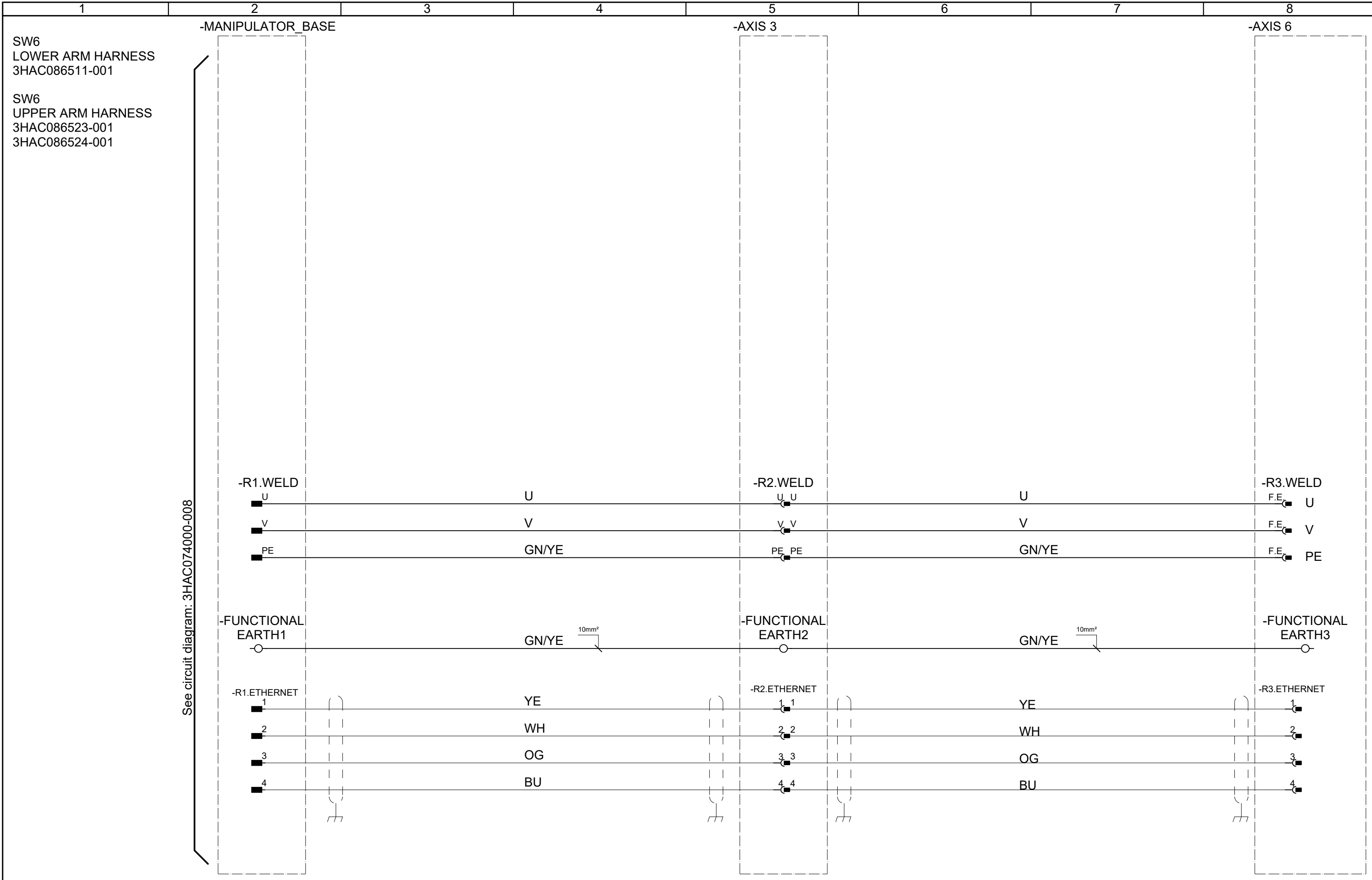
Latest revision: ECO 500000127063, New		ABB	Lab/Office: RARO SE RMD2	IRB67XX	Status: 2021-10-18	Plant: = DP
Prepared by, date: ML 2021-10-15			Approved by, date: ML 2021-10-18	PARACOM, SERVOGUN SW6	Approved	Location: + Se
				TYPE Se	Document no. 3HAC087933-001	Rev. Ind 00
						Page 106 120 Total 19

We reserve all rights in this document and in the information contained therein. Reproduction, use or disclosure to third parties without express authority is strictly forbidden. © Copyright 2003 ABB



Latest revision: ECO 500000127063, New			Lab/Office: RARO SE RMD2	IRB67XX	Status: 2021-10-18	Plant: = DP
Prepared by, date: ML 2021-10-15			Approved by, date: ML 2021-10-18		PARAMULTI, SW6	Approved
				TYPE S	Document no. 3HAC087933-001	Sublocation: + AX3
					Rev. Ind 00	Page 120
						121
						Total 19

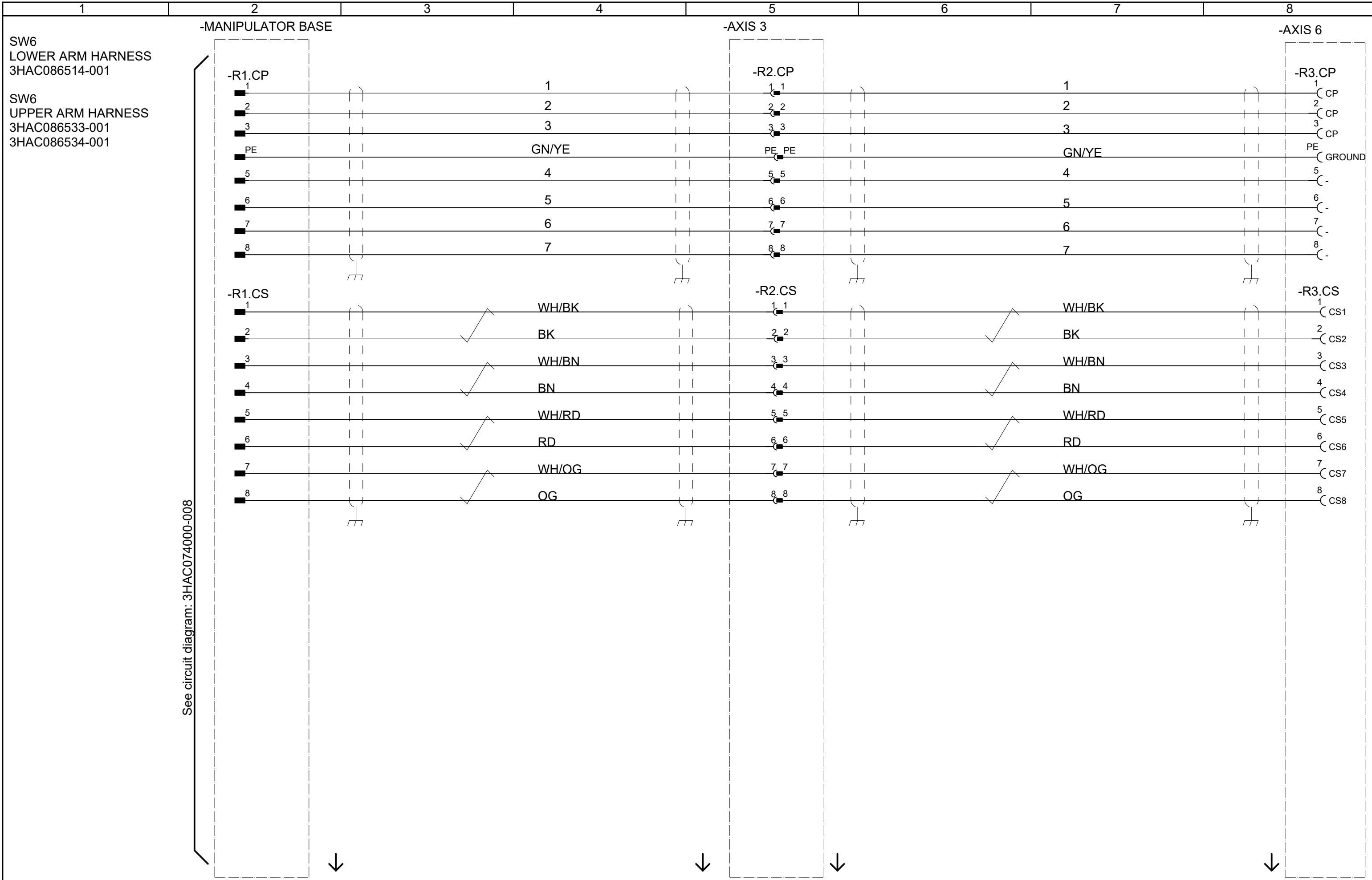
We reserve all rights in this document and in the information contained therein. Reproduction, use or disclosure to third parties without express authority is strictly forbidden. © Copyright 2003 ABB



See circuit diagram: 3HAC074000-008

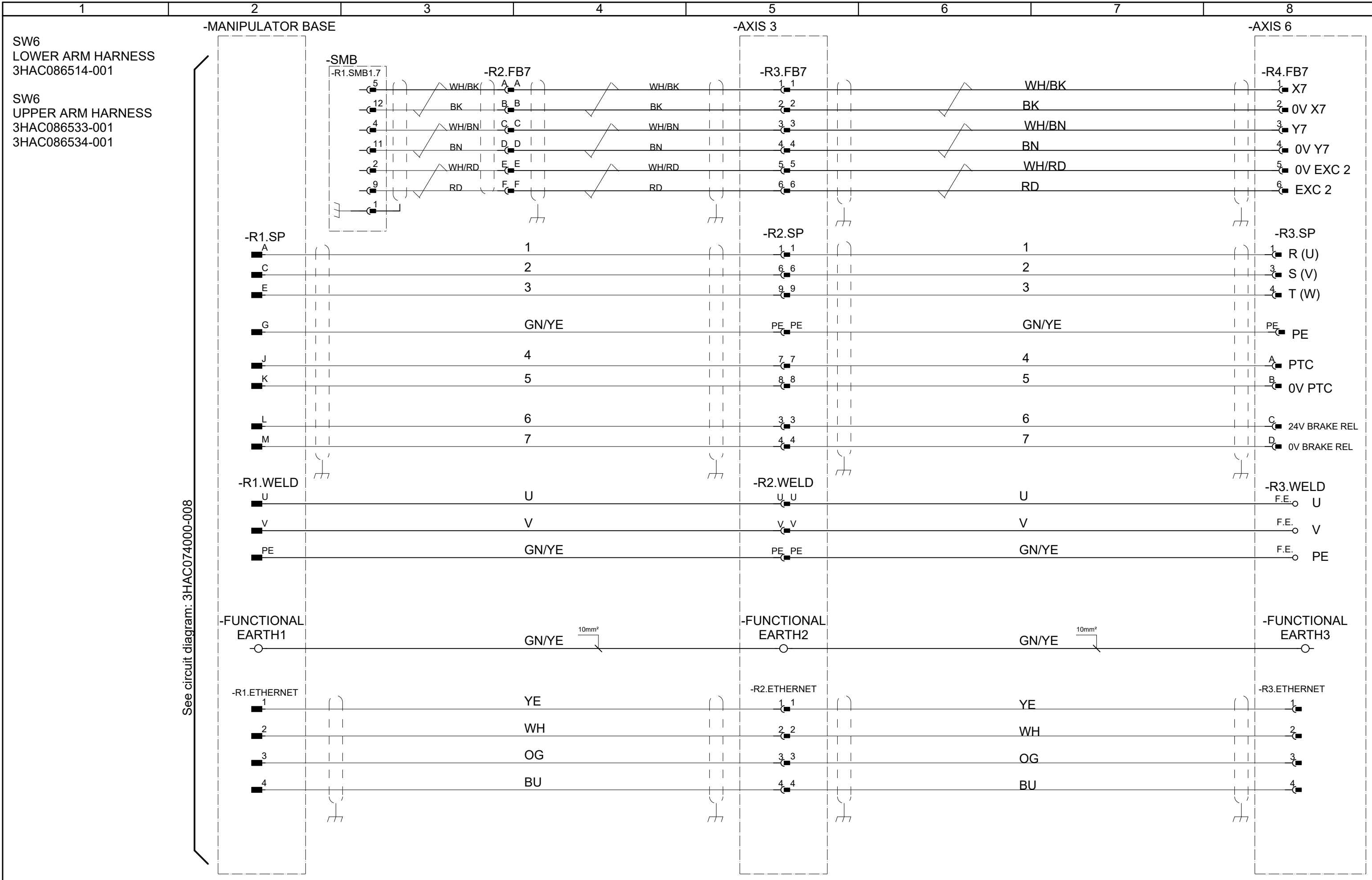
Latest revision: ECO 500000127063, New		ABB	Lab/Office: RARO SE RMD2	IRB67XX	Status: 2021-10-18	Plant: = DP
Prepared by, date: ML 2021-10-15			Approved by, date: ML 2021-10-18		PARAMULTI, SW6	Approved
				TYPE S	Document no. 3HAC087933-001	Sublocation: + AX3
					Rev. Ind 00	Page 121
					125	Total 19

We reserve all rights in this document and in the information contained therein. Reproduction, use or disclosure to third parties without express authority is strictly forbidden. © Copyright 2003 ABB



Latest revision: ECO 500000127063, New		ABB	Lab/Office: RARO SE RMD2	IRB67XX	Status: 2021-10-18	Plant: = DP
Prepared by, date: ML 2021-10-15			Approved by, date: ML 2021-10-18		PARAMULTI, SERVOGUN SW6	Approved
				TYPE Se	Document no. 3HAC087933-001	Sublocation: + AX3
					Rev. Ind 00	Page 125
						126
						Total 19

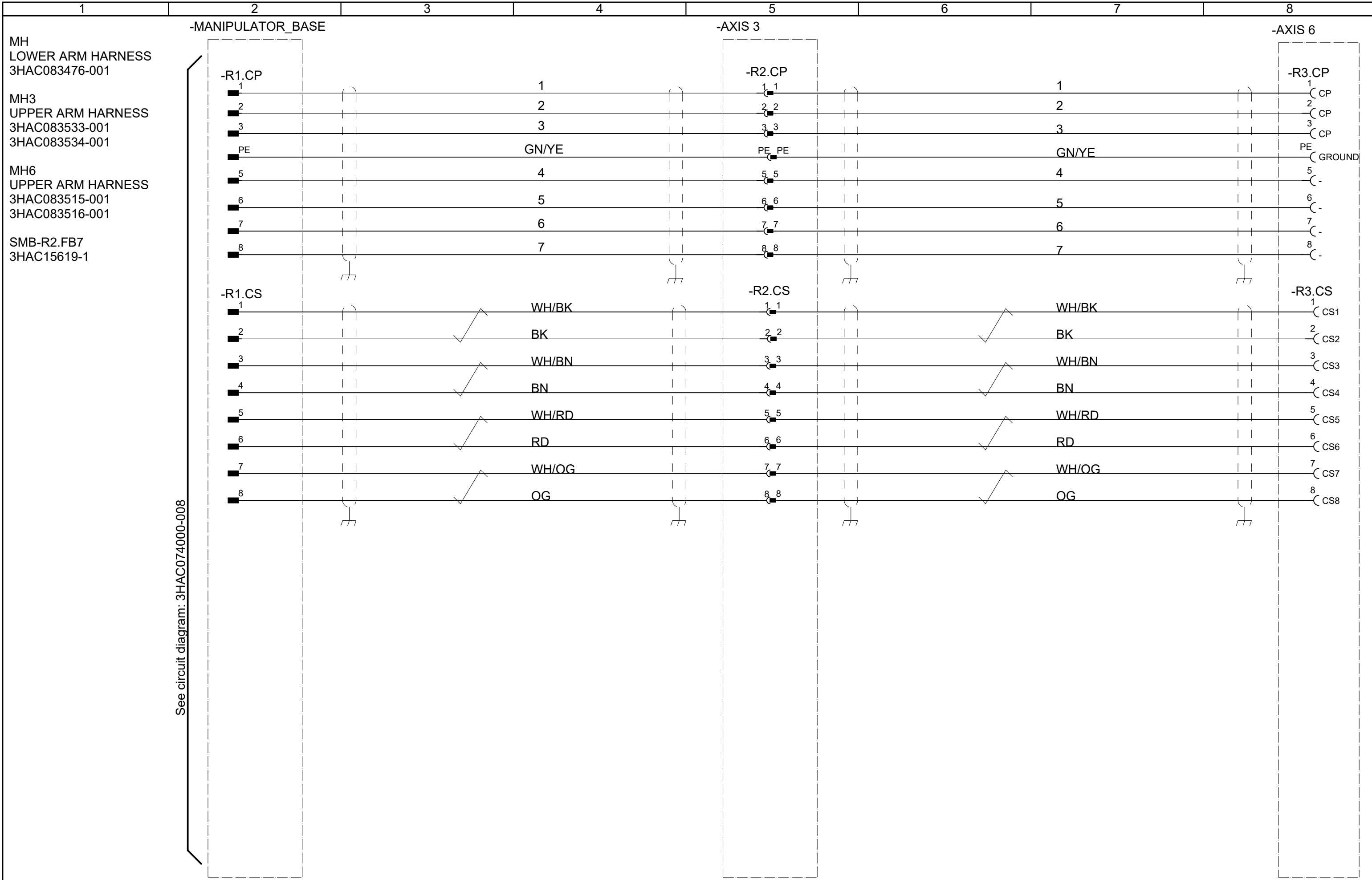
We reserve all rights in this document and in the information contained therein. Reproduction, use or disclosure to third parties without express authority is strictly forbidden. © Copyright 2003 ABB



See circuit diagram: 3HAC074000-008

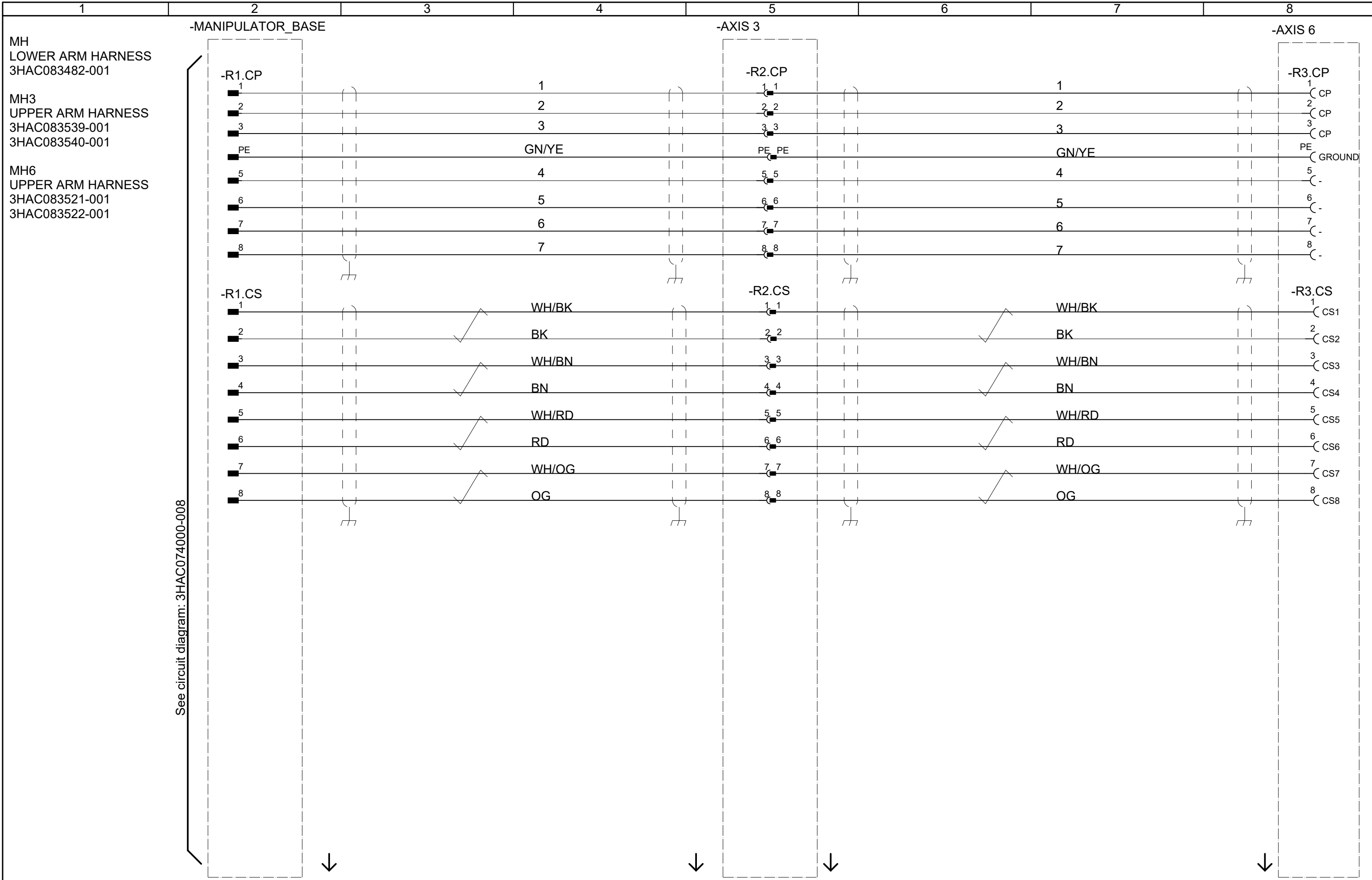
Latest revision: ECO 500000127063, New		ABB	Lab/Office: RARO SE RMD2	IRB67XX PARAMULTI, SERVOGUN SW6 TYPE Se	Status: 2021-10-18 Approved Document no. 3HAC087933-001	Plant: = DP Location: + Se Sublocation: + AX3	Rev. Ind 00	Page 126 +H.AX3/2 Total 19
Prepared by, date: ML 2021-10-15	Approved by, date: ML 2021-10-18							

We reserve all rights in this document and in the information contained therein. Reproduction, use or disclosure to third parties without express authority is strictly forbidden. © Copyright 2003 ABB



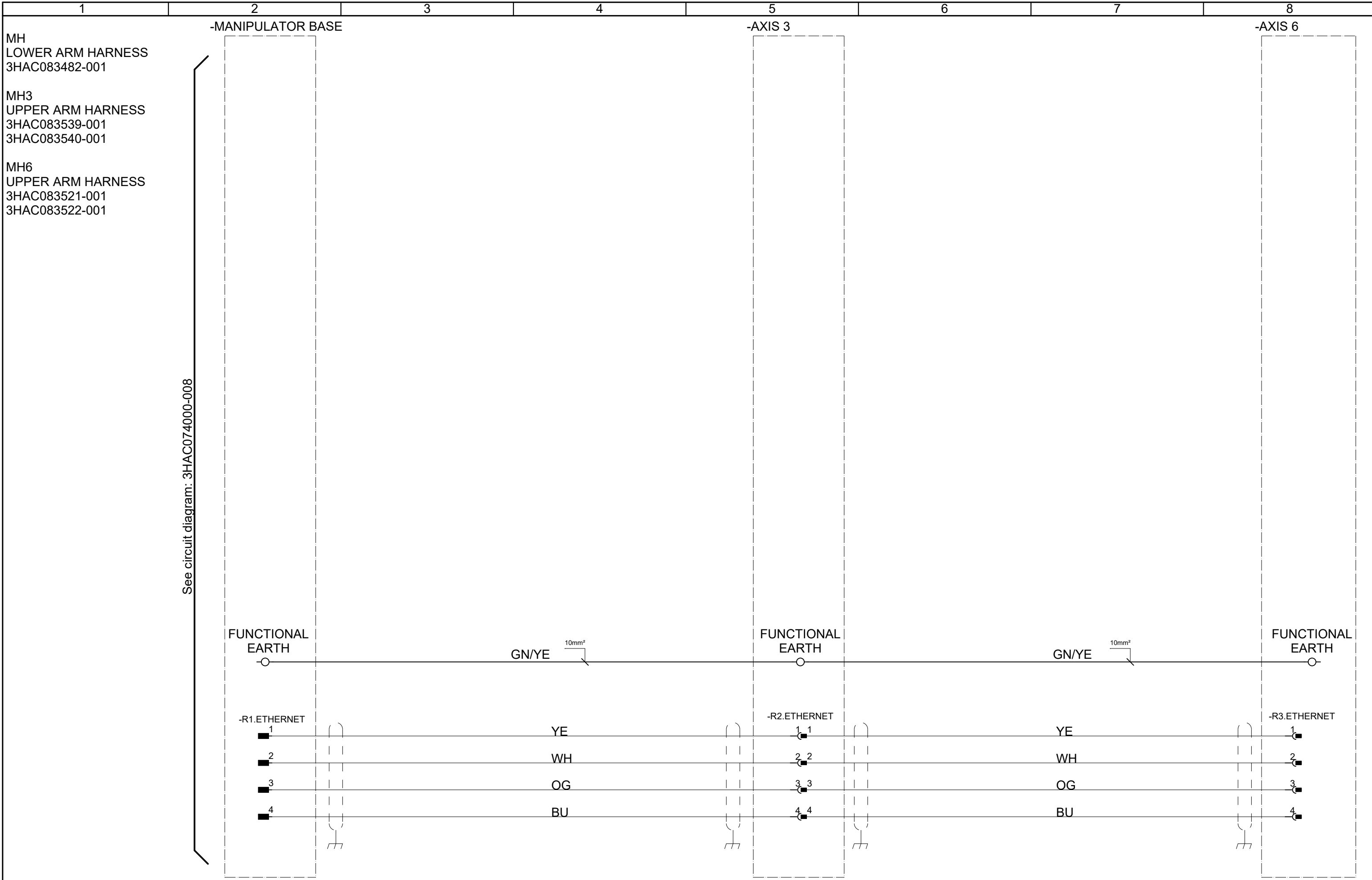
Latest revision: ECO 500000127063, New		ABB	Lab/Office: RARO SE RMD2	IRB67XX	Status: 2021-10-18	Plant: = DP
Prepared by, date: ML 2021-10-15			Approved by, date: ML 2021-10-18	PARACOM MH3 & MH6	Approved	Location: + H
				TYPE H	Document no. 3HAC087933-001	Rev. Ind 00
						Page 200 220 Total 19

We reserve all rights in this document and in the information contained therein. Reproduction, use or disclosure to third parties without express authority is strictly forbidden. © Copyright 2003 ABB



See circuit diagram: 3HAC074000-008

We reserve all rights in this document and in the information contained therein. Reproduction, use or disclosure to third parties without express authority is strictly forbidden. © Copyright 2003 ABB



See circuit diagram: 3HAC074000-008

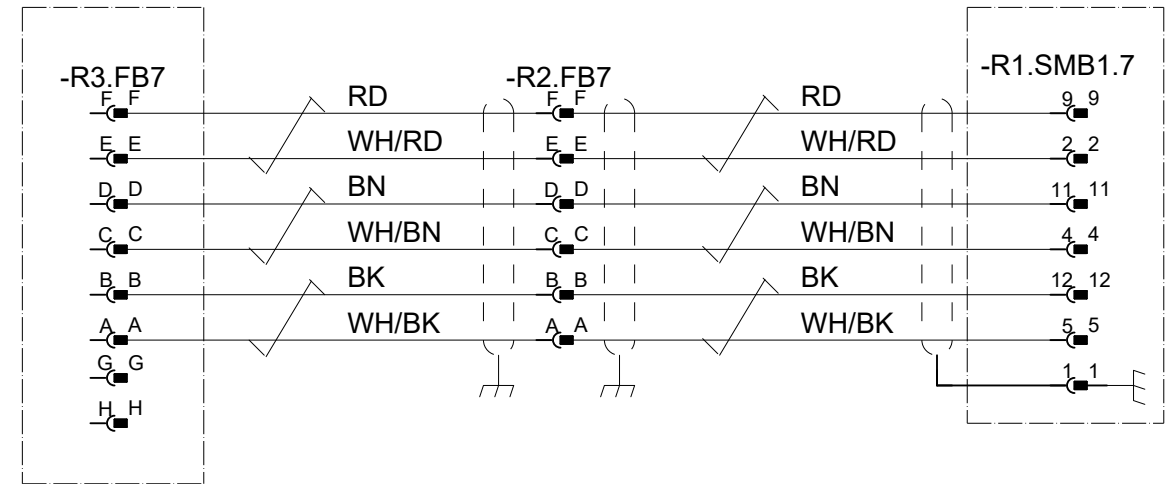
Latest revision: ECO 500000127063, New		ABB	Lab/Office: RARO SE RMD2	IRB67XX	Status: 2021-10-18	Plant: = DP	
				PARAMULTI MH3 & MH6	Approved	Location: + H	Sublocation: + AX3
Prepared by, date: ML 2021-10-15	Approved by, date: ML 2021-10-18			TYPE H	Document no. 3HAC087933-001	Rev. Ind 00	Page 221 +AX 7/25 Total 19

RESOLVER SIGNALS
 CABLE FB7-SMB 1.7
 3HAC15619-1

CABLE SIGNAL AX 7
 3HAC023278-001

-MANIPULATOR BASE

-SMB



We reserve all rights in this document and in the information contained therein. Reproduction, use or disclosure to third parties without express authority is strictly forbidden. © Copyright 2003 ABB

Latest revision: ECO 500000127063, New		ABB	Lab/Office: RARO SE RMD2	IRB67XX	Status: 2021-10-18	Plant: = DP
Prepared by, date: ML 2021-10-15			Approved by, date: ML 2021-10-18		Axis 7 on base	Approved
				AX 7	Document no. 3HAC087933-001	Sublocation: +
					Rev. Ind 00	Page 250
						Total 19